



## AH-LMB-KIT-INST-2 54|98 Base

### Assembly Instructions for Installation



#### 54|98 Base Bill of Material:

Item	Item Number	Description	Qty
1	AH-150-2	Bolts and Washers Kit for Mounting Hutch	1
2	AH-LUMBER-002-1	Zip Ties	2
3	AH-LUMBER-001-1	Side, 54 98 Base	2

**Tools Needed:**

1. 15/64" Drill Bit (For Softer Wood) or 1/4" Drill Bit (For Harder Wood)
2. Drill
3. 1/2" Deep Well Socket
4. Ratchet

**Installation Instructions:**

**Step 1:** Using 15/64" or 1/4" Drill Bit, drill (8) pilot holes. Repeat for all 4 corners. (See Figure 1)

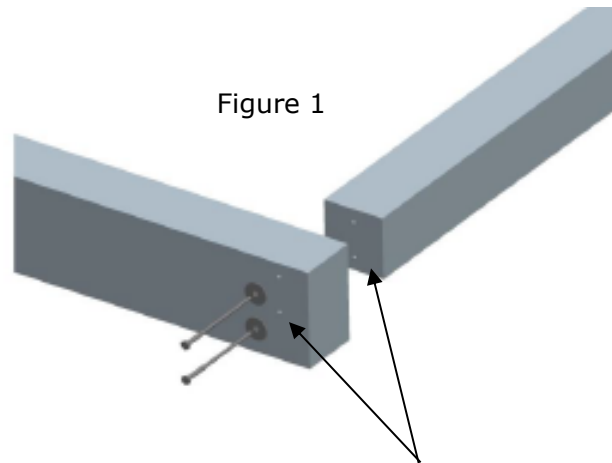


Figure 1  
Locate 3/16" Pilot holes at approximate center of



**Step 2: Assemble Base:** Using 1/2" Deep Well Socket, assemble lumber using (2) 1" washers with (2) 4" x 5/16 Lag Screws. Repeat for all 4 corners (See Figure 1).

**Step 2: Assemble Base to Hutch:** Using 1/2" Deep Well Socket, washers and screws, fasten (@) brackets near entrance securing Hutch to Base (See Figure 2)

Fasten hutch to base at remaining locations around perimeter using washers and screws.

Figure 2



Entrance Bracket Locations