



CH-3347-1 Ridge Vent

For 24 | 74 Hutch
Assembly Instructions for Installation



Calf-Tel Ridge Vent Bill of Material:

| Item | Item Number | Description | Qty |
|------|-------------|---------------------|-----|
| 1 | CH-3347-1 | Ridge Vent | 2 |
| 2 | CH-9150-1 | Ridge Vent Hardware | 1 |

Tools Needed:

1. 3/8 in (9.5 mm) Deep Well socket
2. Ratchet

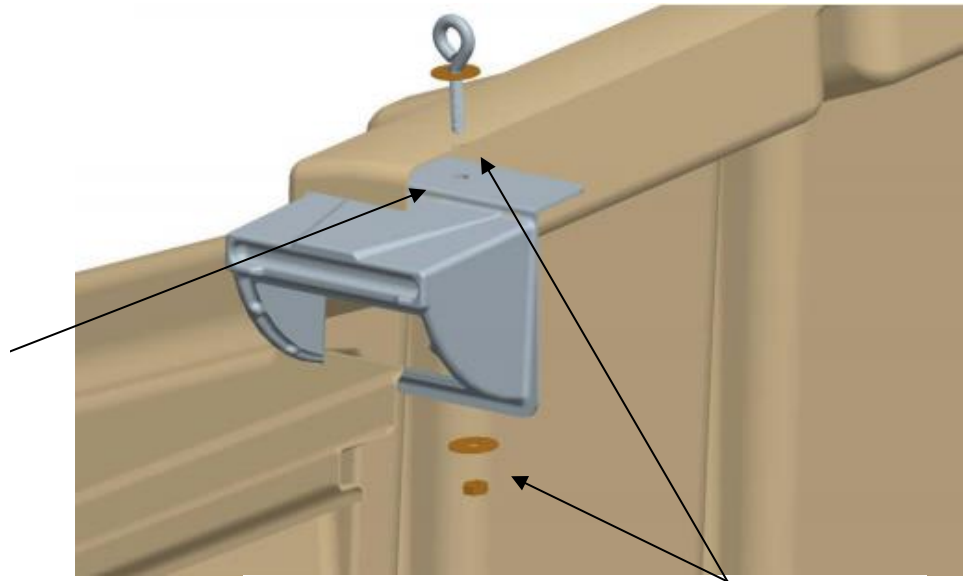
Installation Instructions:

Step 1: Assemble Ridge

Vent: From the inside of the hutch, pull each vent through the opening in the ridge.

Step 2: Align Vent with

Hutch Ridge: Line up the hole in the ridge with the hole in the vent.



Step 3: Secure Vent in Place: Using eyebolt, washers and hex nut, fasten vent to ridge.