



## CT-7010K Lower Hutch Vent Kit

Fits 24|74 and 35|85  
Assembly Instructions for Cut & Installation



### Calf-Tel Lower Hutch Vent Kit Bill of Material:

Item	Item Number	Description	Qty
1	CT-7010	Hutch Vent	2
2	CT-HDWE-011	Hutch Vent Hardware	1

#### Tools Needed:

1. Router, Roto-zip or Jig Saw
2. ½ in (12.7 mm) Deep Socket with Ratchet
3. ½ in (12.7 mm) Wrench

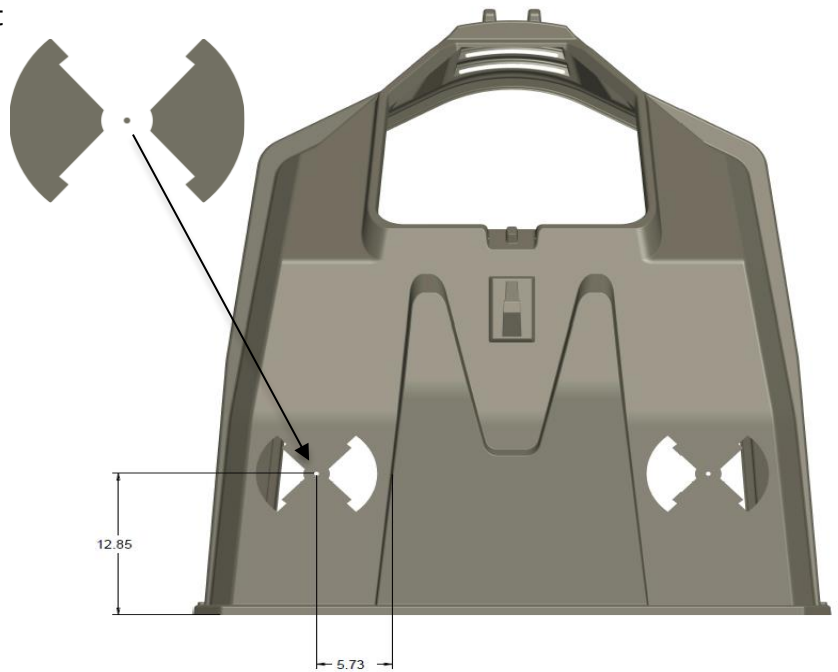
#### Installation Instructions:

**Step 1: Drill Center Vent Hole:** Refer to the dimensions on page 1 and drill center hole with a 3/8 drill bit.

**Step 2: Trace Vent Openings:** Using the template provided on page 3, align the template with holes. Outline the template on the back of plastic hutch.

**Step 3: Cut Vent Openings:** Use router, roto-zip or jig saw to cut two openings in back of hutch.

**Step 4: Install Vent Covers:** Place vent covers over openings. Insert supplied bolt from the inside and tighten with nut on outside of hutch. Tighten using ratchet.



## CT-7010K



## Lower Hutch Vent Kit

Fits 24|74 and 35|85

Assembly Instructions for Installation Only



### Calf-Tel Lower Hutch Vent Kit Bill of Material:

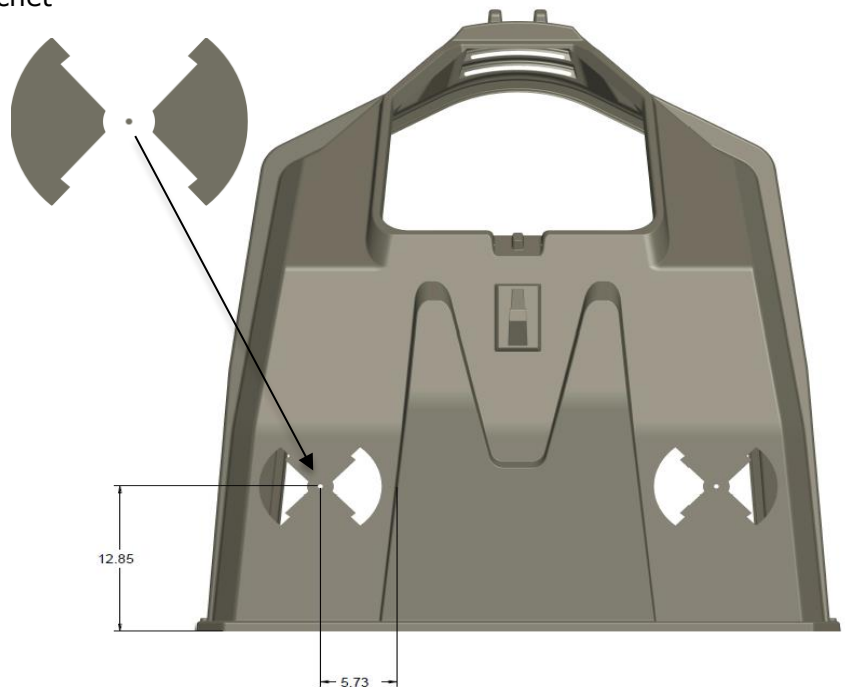
Item	Hampel Item Number	Description	Qty
1	CT-7010	Hutch Vent	2
2	CT-HDWE-011	Hutch Vent Hardware	1

### Tools Needed:

1. ½ in (12.7 mm) Deep Socket with Ratchet
2. ½ in (12.7 mm) Wrench

### Installation Instructions:

**Step 1: Install Vent Covers:** Place vent covers over openings. Insert supplied bolt from the inside and tighten with nut on outside of hutch. Tighten using ratchet.



## Vent Template

