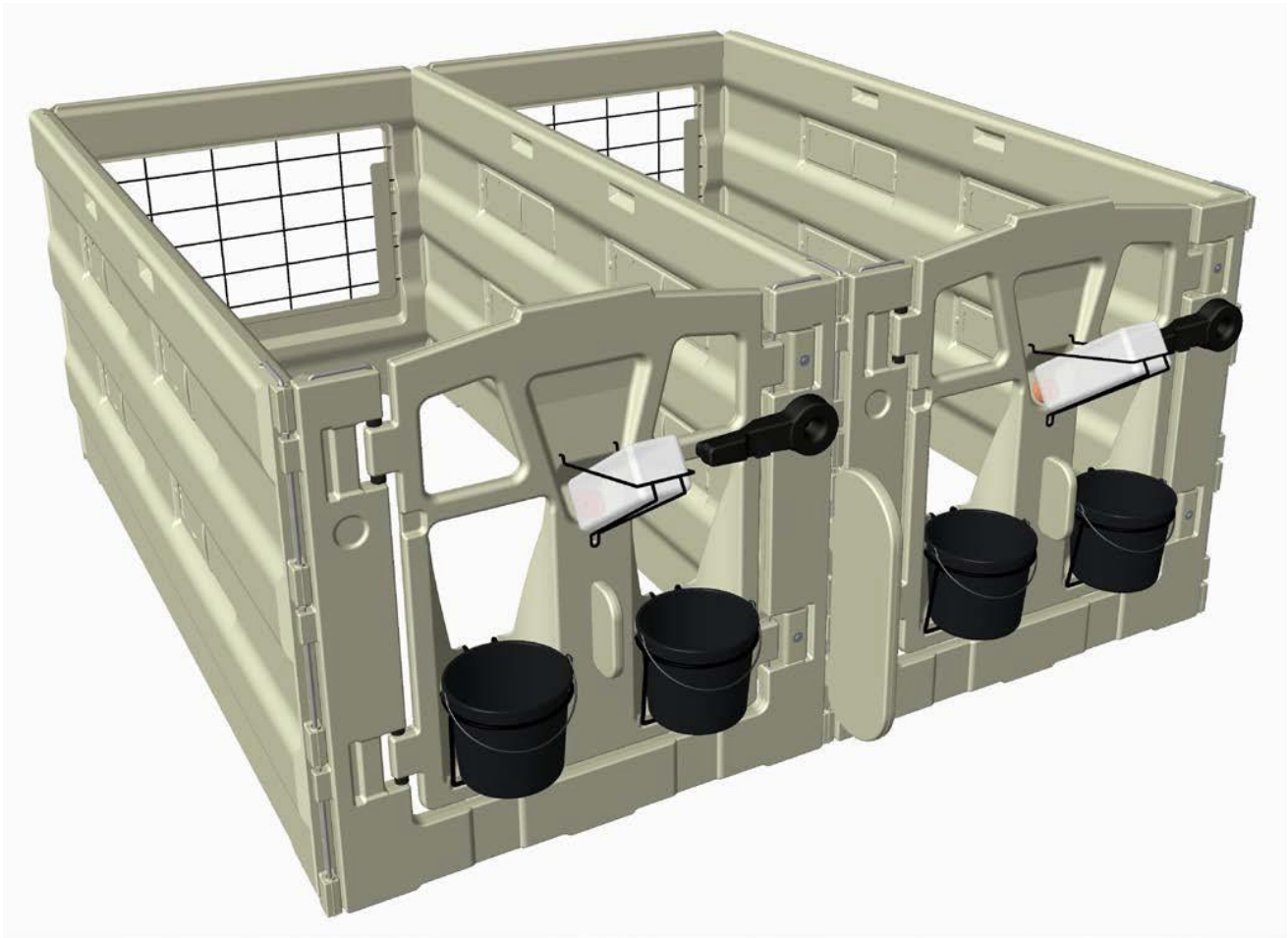


Revised October 2021



Calf-Tel Pen System Assembly Instructions

(Instructions work for 4', 5', 6', 7' and the 8' Pen Systems)





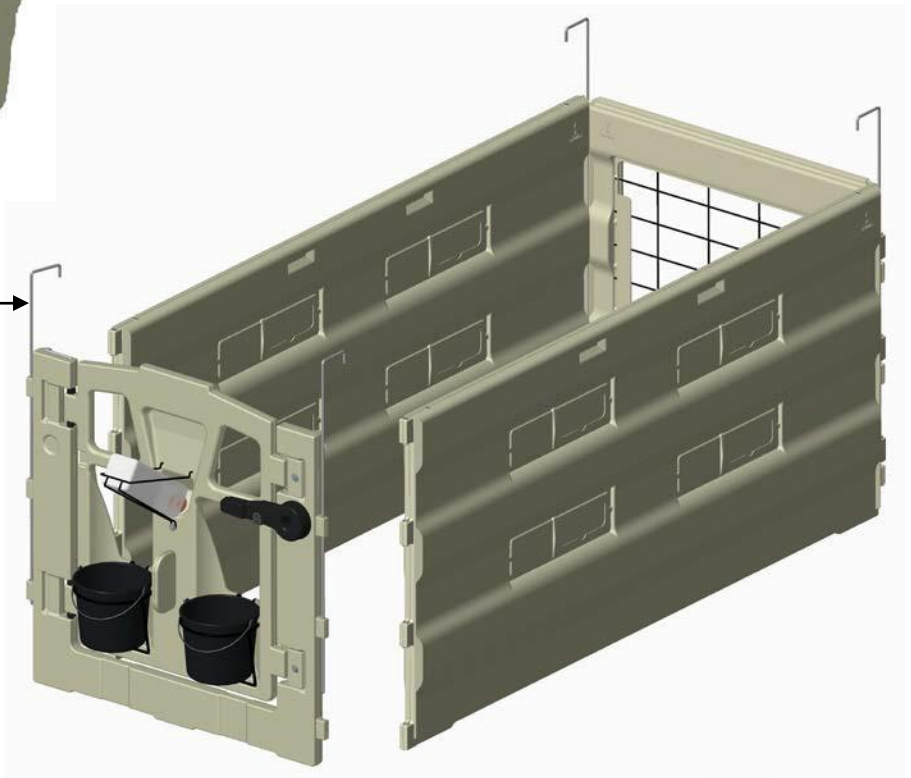
Assembly of Pen Front and Walls



Start the assembly by lining up the two uni-directional arrows in the top, left, back corner of the first pen.

Use the same orientation for the successive back and side panels.

CH-6170-1
4 PER



With any version front - line up the finger tabs of the desired panels drop I-rod through the holes.



Pen Front

Item	Item Number	Description
1	CT-6150	Front Door Assembly
2	CT-6153	Door Handle
3	CT-6159	Wire Pail Holder
4	CH-3295	10 qt. Pail (color may vary)
5	CT-6157	Door Handle Bracket
6	CT-HDWE-010-1 CT-HDWE-005 CT-HDWE-006 CT-HDWE-007 CT-HDWE-008 CT-HDWE-009 CT-6160	Door Handle Bracket Kit Hex Cap Screw 5/16-18 X 2 Split Lock Washer 5/16 Flat Washer 5/16 Hex Nut 5/16-18 Hex Cap Screw 5/16-18 X 1.0 Back-Up Plate



Optional Components:

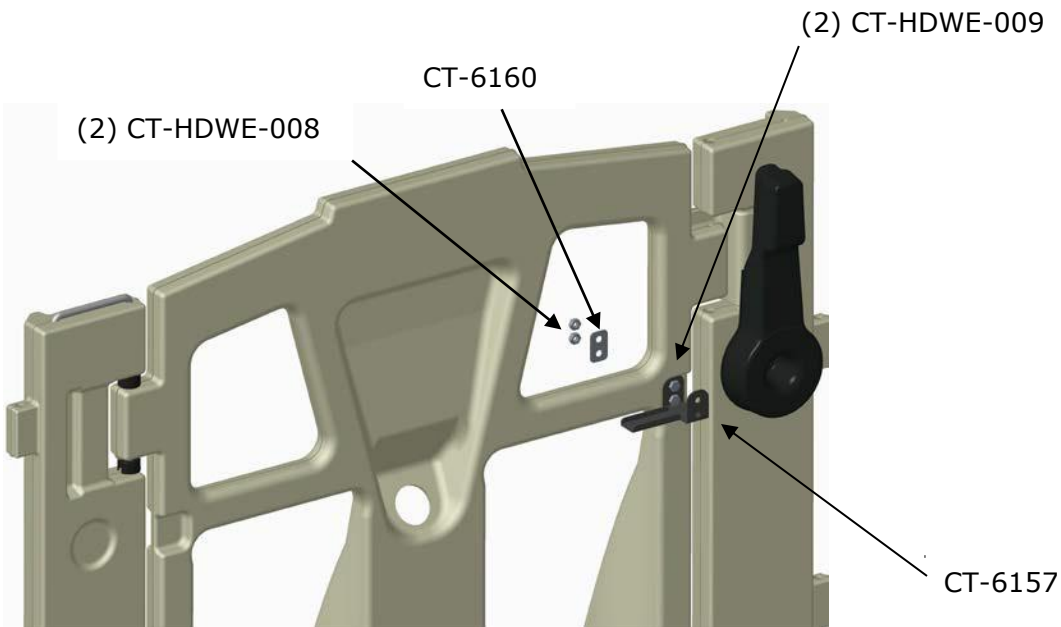
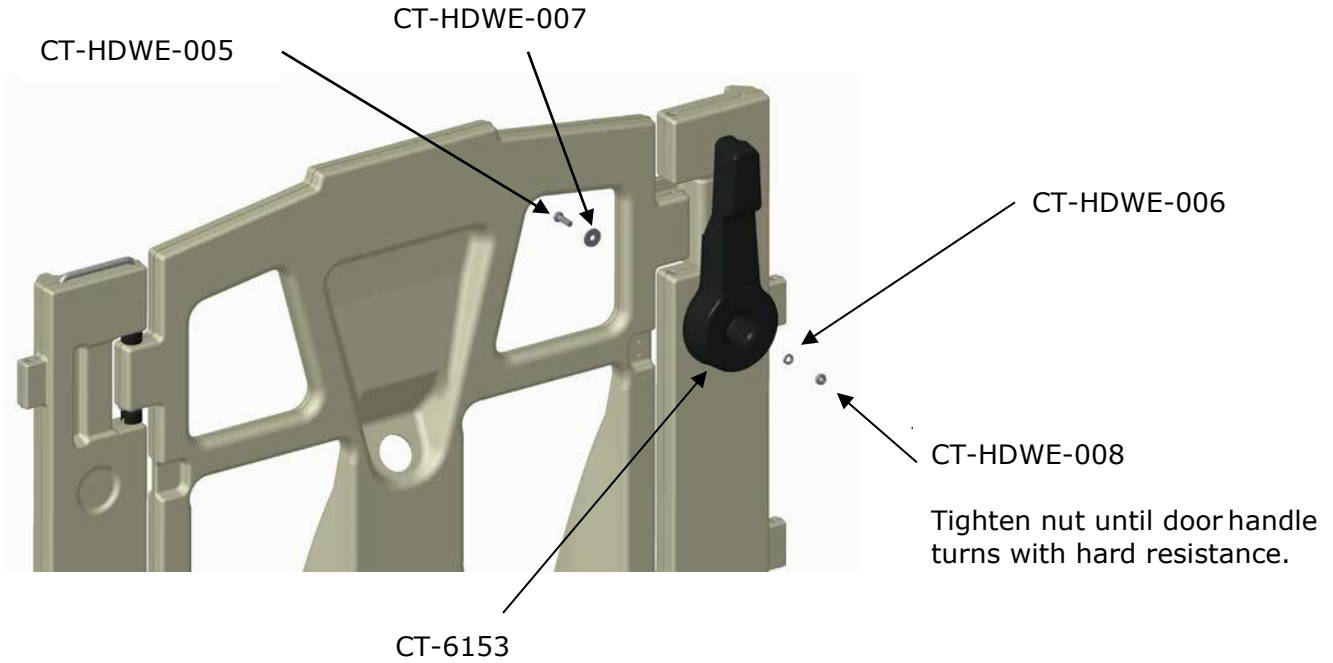
1. Pen Extender
2. Wire Bottle Holder
3. Bottle W/Nipple
4. Pail Divider

Tools Needed:

1. 7/16 Open End Wrench
2. 7/16 Socket and Ratchet
3. 1/2 Open End Wrench
4. 1/2 Socket and Ratchet



Door Handle and Latch Assembly

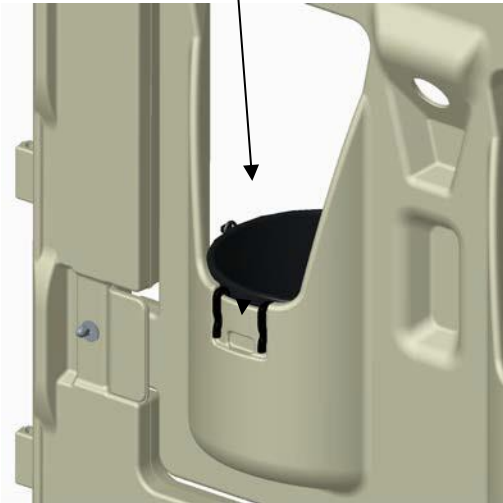




Pail Holder Assembly



Wire pail hooks latch into recesson inside of door.



CT-6159

Wire pail holder snaps under formed in tabs.

(Assembly Tip: Insert pail holder ring first under one tab then snap into place.)

CH-3295 (black)

10 QT PAIL – 2 PER

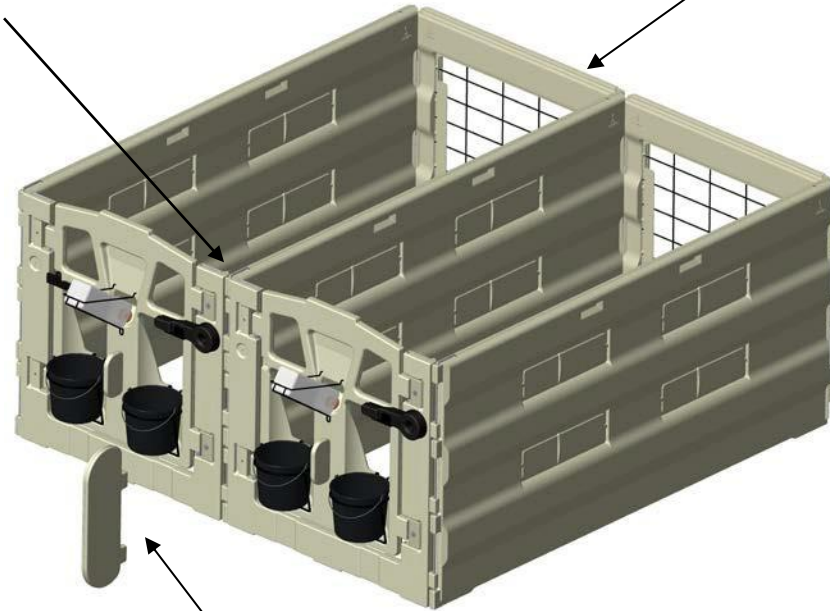
Optional - CH-3298 (white)



Optional Pen Extender Installation

CH-6170-1

AirMax Back Option



CH-6210

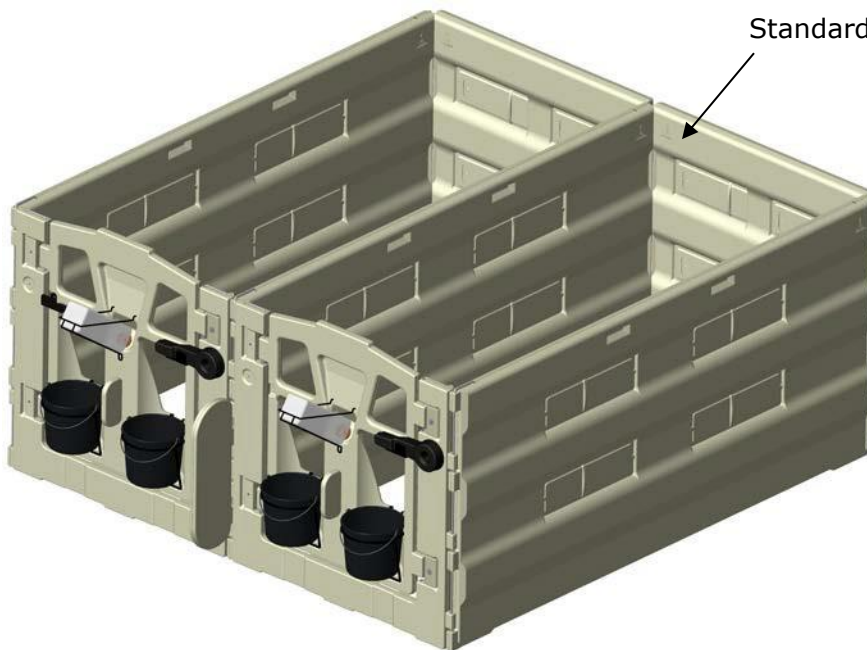
Lift (CH-6170-1) I-rod that connects two pen fronts together.

Slide the (CH-6210) pen extender into the lower knuckle openings.

Lower (CH-6170-1) I-rod back into position, connecting the optional pen extender and the two pen fronts.

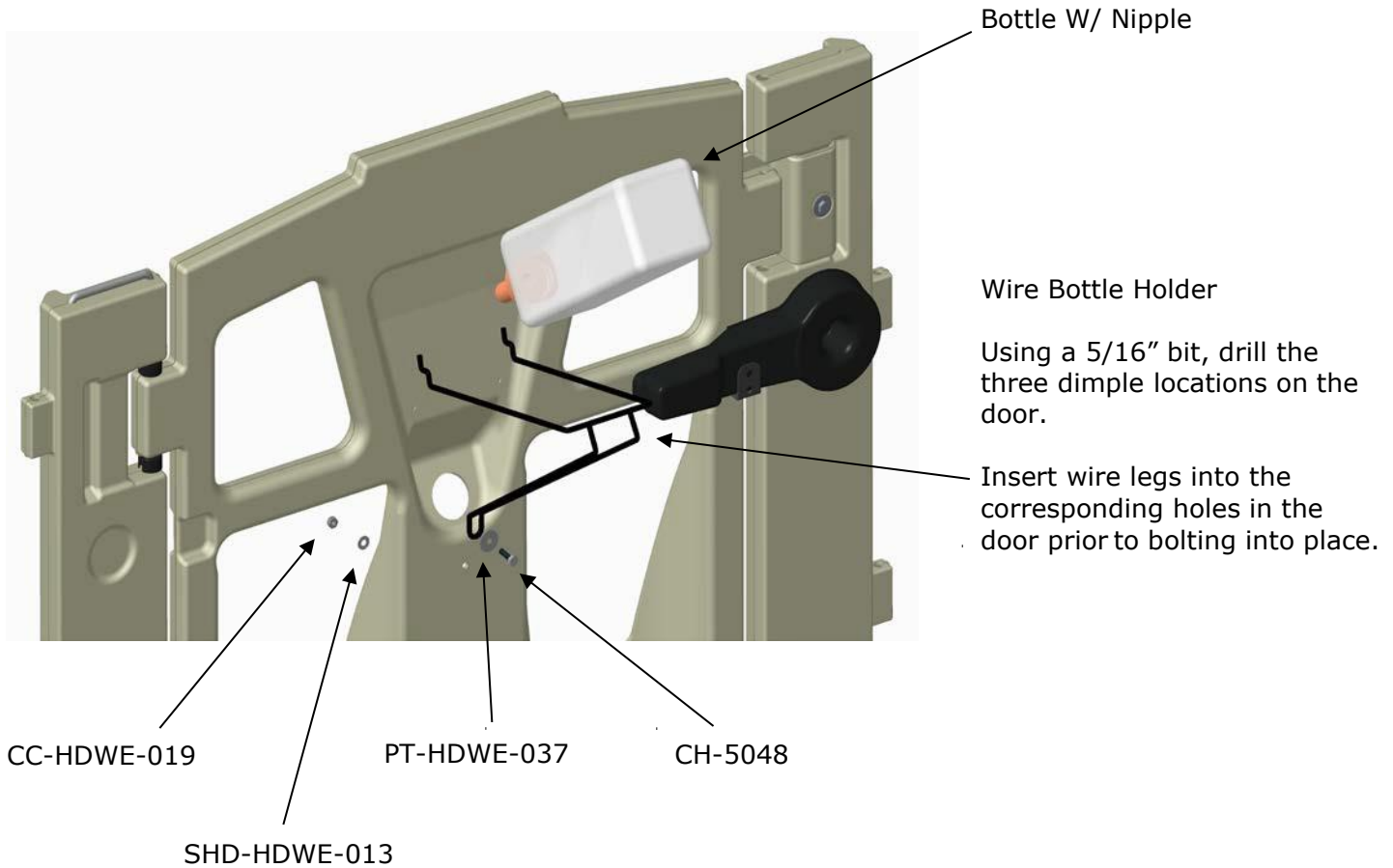
Note: This works with any version front.

Standard Back Option





Optional Bottle Holder Assembly



Install the 1" cap screw (CH-5048) and the 1" dia. Washer (PT-HDWE-037) through the bottom loop of the wire bottle holder.

Using the small flat washer (SHD-HDWE-013) and the nylon lock nut (CC-HDWE-019) tighten the wire bottleholder to the plastic door.

See Above



Optional Pail Divider

Pail holder locations are dimpled on door and need to be drilled. (dimples are on inside of door)

Top hole is 1.0" diameter and the bottom hole is 5/8" diameter.

Note: Once drilled the holes will overlap.



CT-6152

The (CT-6152) pail divider is designed to be a tight snap fit.

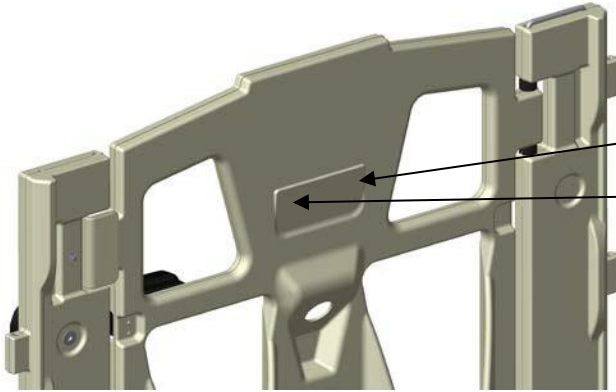
1.0" Diameter

5/8" Diameter





Nipple Pail Assembly



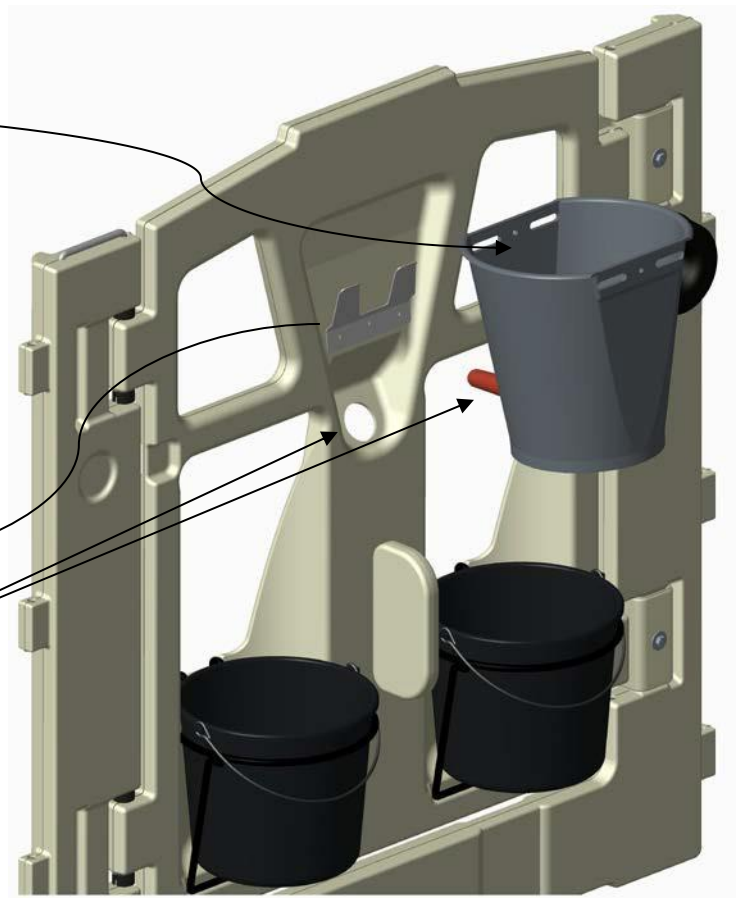
Locate the 2 dimple locations on inside of door.

Using a ¼" bit, drill through the door at these 2 locations.



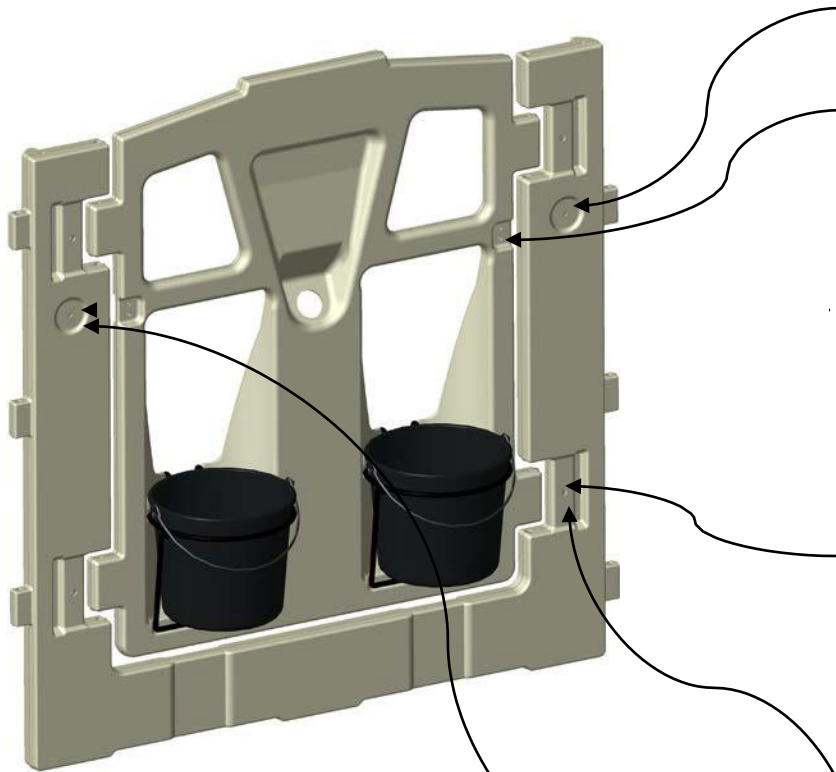
From outside of door, mount the bracket using supplied hardware.

Slide the pail onto bracket hooks, and insert the pail nipple through the 2.0" door hole.





Right Door Swing Retrofit



Remove all hardware for door handle, and latch.

Drill (3/8" bit) all corresponding holes on other side.

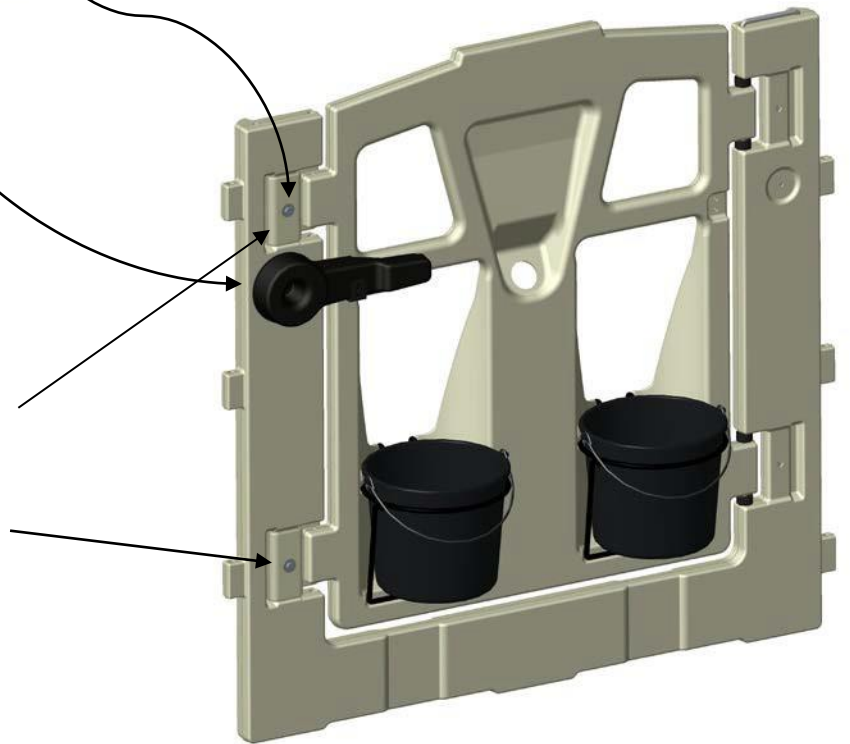
Note: These locations are dimpled, and need to be drilled through the steel pipe.

Attach door and handle with same hardware.

Repeat above procedure for the door stops.

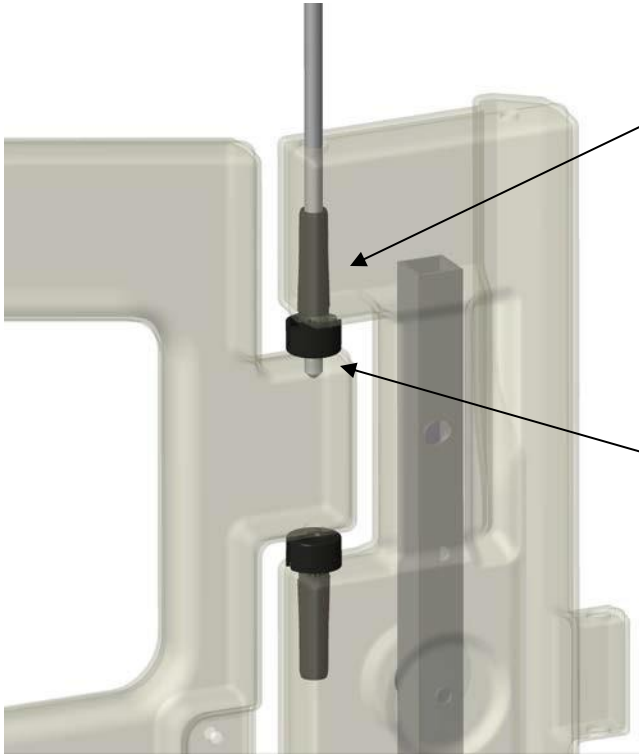
Note: New hole locations are also dimpled. **(2 locations)**

Inside Swing Door Option:
By mounting the door stops on the inside of the door frame, the door will swing in not out.





Right Door Swing Retrofit (Continued)



Remove the (4) hinge pins and insert into the otherside of the frame – **5/8"** holes will need to be drilled in the frame knuckles and **3/8"** in the door knuckles. Connect the door and frame with the I-rod.

Assembly Tip:

When inserting the I-rod, swing the door in place to align the top hinge pins to the knuckle hole.

