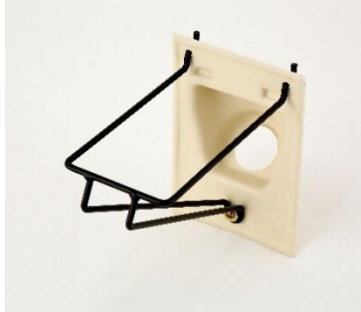




CH-3220B-1 & CH-3220-3L Hutch Mount Bottle Holder Kit Assembly Instructions for Installation



Calf-Tel 2 Qt. Hutch Mount Bottle Holder Kit Bill of Material:

Item	Item Number	Description	Qty
1	CH-3002-1	2 Qt. Bottle Holder Wire Cradle	1
2	CH-3223-1	Plastic Face Plate	1
3	CH-9050-1	Hardware Required for Assembly	1

Calf-Tel 3 Qt. Hutch Mount Bottle Holder Kit Bill of Material:

Item	Item Number	Description	Qty
1	CH-3004	3 Qt. Bottle Holder Wire Cradle	1
2	CH-3223-1	Plastic Face Plate	1
3	CH-9050-1	Hardware Required for Assembly	1

Tools Needed:

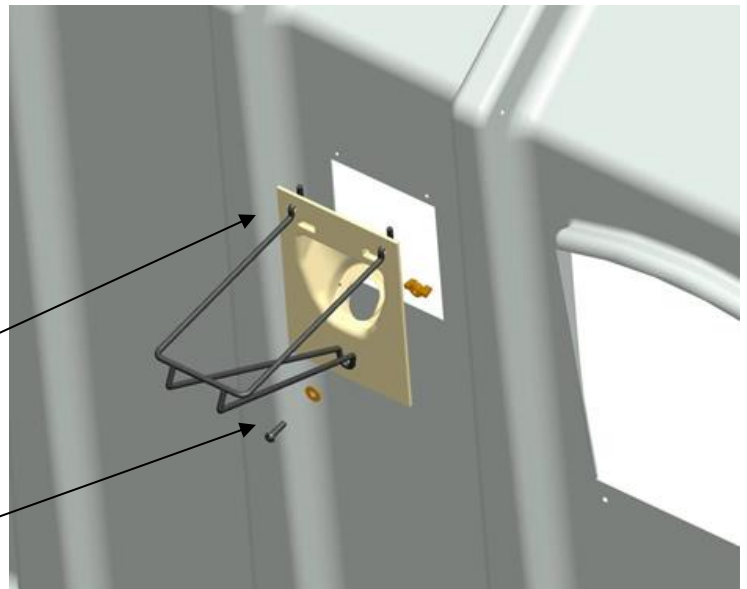
1. Router, Roto-zip or Jig Saw
2. Screw Driver/Drill

Installation Instructions:

Step 1: Cut Bottle Holder Opening: Using the template on page 2, cut opening for bottle holder and drill holes for bottle holder wires.

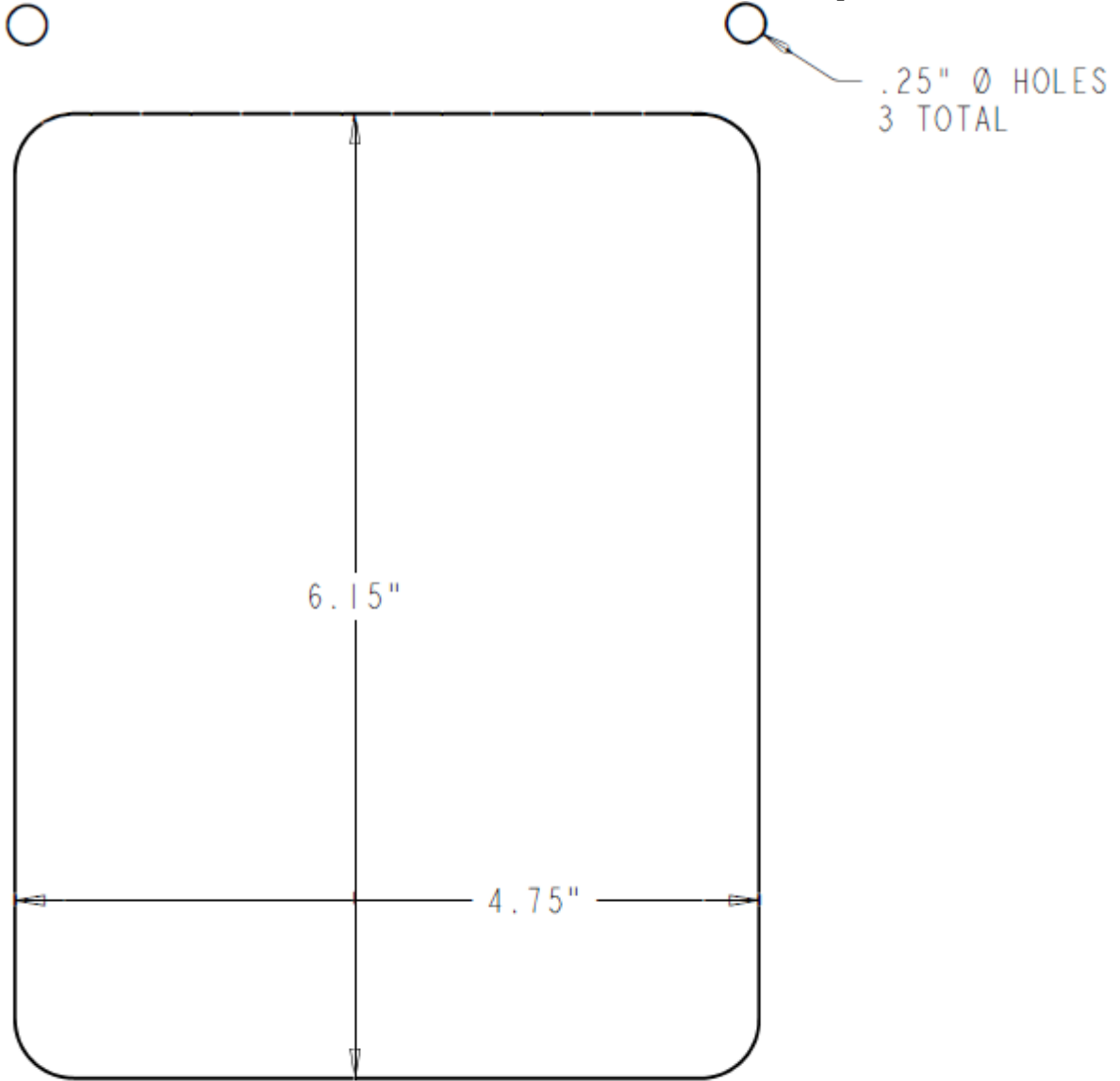
Step 2: Attach Bottle Holder Wire to Plastic Face Plate: Insert bottle holder wire through holes in bottle holder. Align plastic face plate with opening in hutch and insert bottle holder wire into holes on hutch.

Step 3: Secure Bottle Holder and Face Plate to Hutch: Fasten bottle holder and face plate to hutch with 1 screw, 1 washer and plastic wing nut.





Bottle Holder Hutch Mount Template



VERIFY CORRECT SCALE BEFORE USING....COMPARE TEMPLATE TO LISTED MEASUREMENTS

NOTES:

TEMPLATE IS CENTERED BETWEEN THE 2ND AND 3RD RIB FROM THE FRONT OF THE CALF-TEL (OLD STYLE HUTCH)

APPROXIMATELY 31" OFF OF THE GROUND TO THE CENTER OF THE BOTTOM HOLE



**CH-9777-1 & CH-9778-3L
Fence Mount Bottle Holder Kit
Assembly Instructions for Installation**

Calf-Tel 2 Qt. Fence Mount Bottle Holder Kit Bill of Material:

Item	Item Number	Description	Qty
1	CH-3002-1	2 Qt. Bottle Holder Wire Cradle	1
2	CH-3223-1	Plastic Face Plate	1
3	CH-3003-2	U-Shaped Wire Support Bracket	1
4	PH-5020	Wing Nut	1

Calf-Tel 3/4 Qt. Fence Mount Bottle Holder Kit Bill of Material:

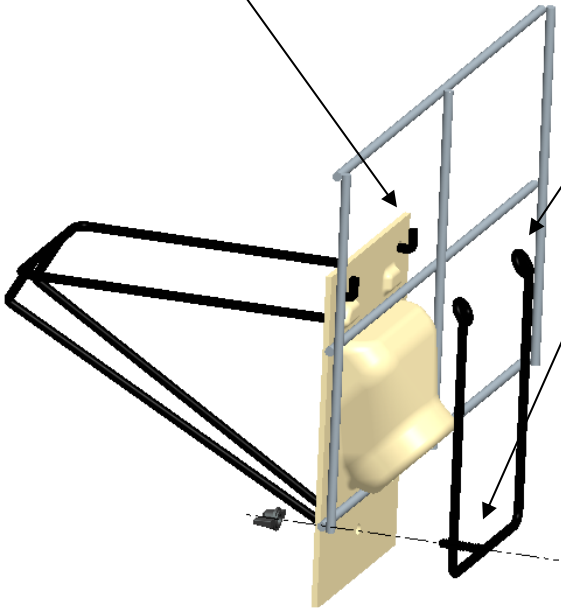
Item	Item Number	Description	Qty
1	CH-3004	Bottle Holder Wire Cradle	1
2	CH-3223-1	Plastic Face Plate	1
3	CH-3003-2	U-Shaped Wire Support Bracket	1
4	PH-5020	Wing Nut	1



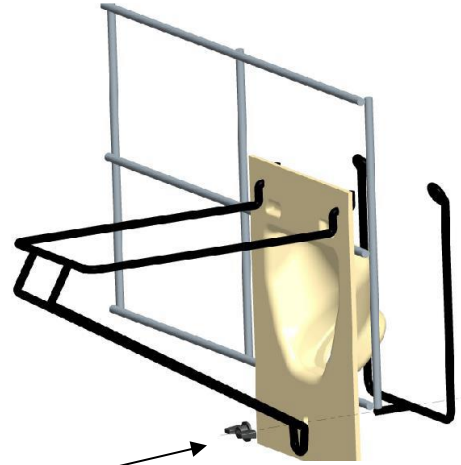
Installation Instructions:

Step 1: Attach Bottle Holder Wire to Plastic Face Plate:

Insert wire through holes in plastic face plate.



Step 2: Assemble to Fence: Align face plate to opening in fence. Insert bottle holder wires through fence, into u-shaped wire support bracket holes. Threaded stud at bottom of u-shaped wire support bracket should be inserted through the lower hole on the face plate.



Step 3: Fasten to Fence: Tighten wing nut onto stud at base of u-shaped wire support bracket.