



## CH-3220B-1 & CH-3220-3L Hutch Mount Bottle Holder Kit

Assembly Instructions for Installation



**Calf-Tel 2 Qt. Hutch Mount Bottle Holder Kit Bill of Material:**

Item	Item Number	Description	Qty
1	CH-3002-1	2 Qt. Bottle Holder Wire Cradle	1
2	CH-3223-1	Plastic Face Plate	1
3	CH-9050-1	Hardware Required for Assembly	1

**Calf-Tel 3 Qt. Hutch Mount Bottle Holder Kit Bill of Material:**

Item	Item Number	Description	Qty
1	CH-3004	3 Qt. Bottle Holder Wire Cradle	1
2	CH-3223-1	Plastic Face Plate	1
3	CH-9050-1	Hardware Required for Assembly	1

**Tools Needed:**

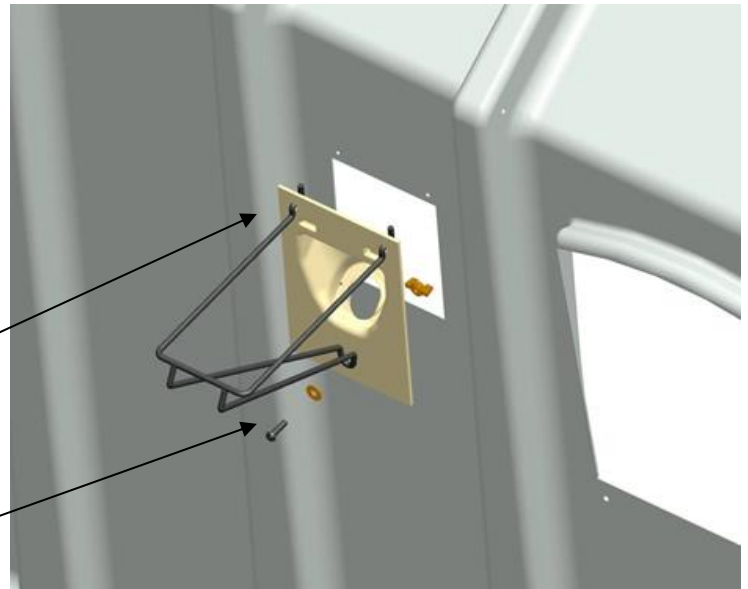
1. Router, Roto-zip or Jig Saw
2. Screw Driver/Drill

**Installation Instructions:**

**Step 1: Cut Bottle Holder Opening:** Using the template on page 2, cut opening for bottle holder and drill holes for bottle holder wires.

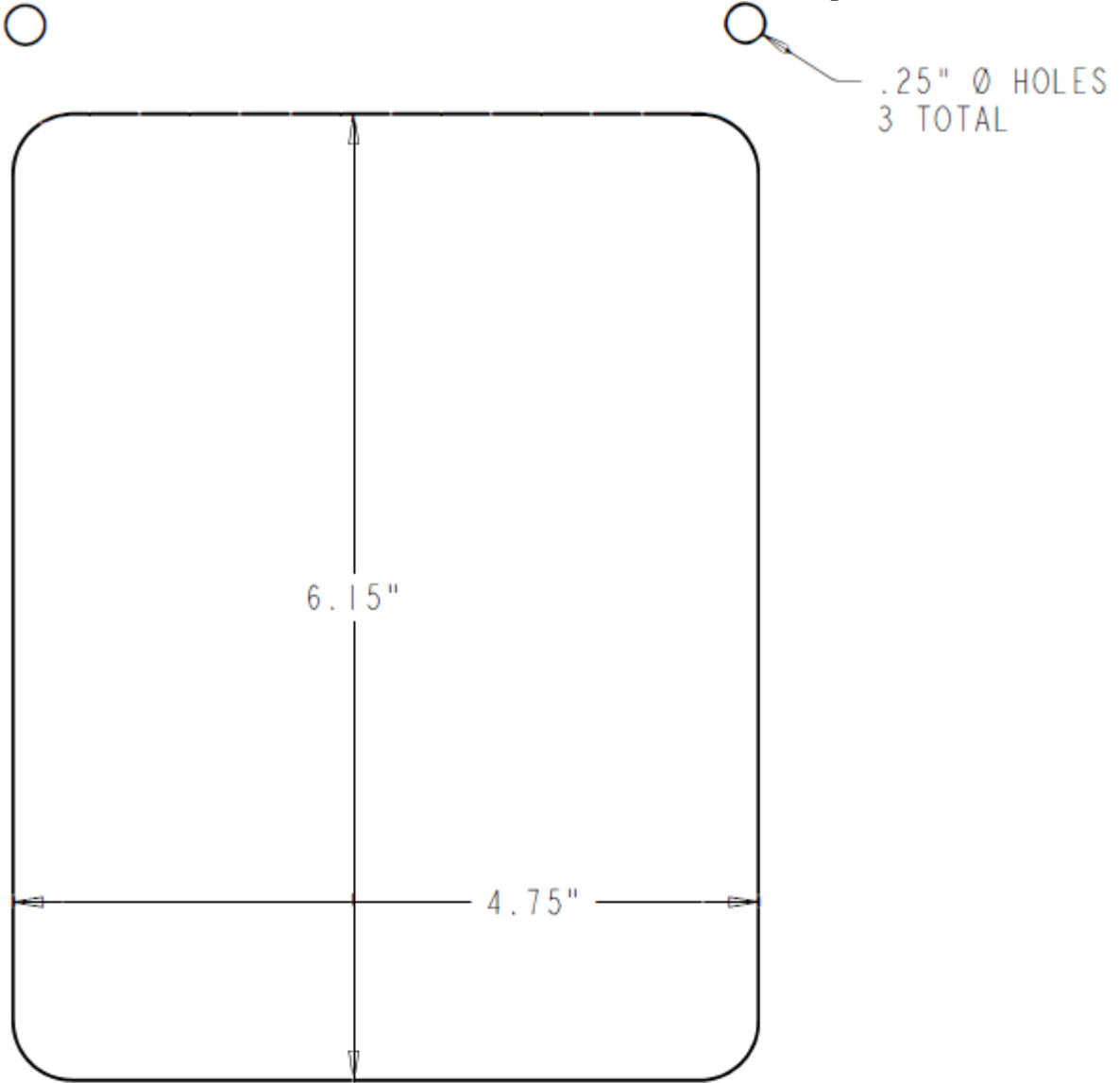
**Step 2: Attach Bottle Holder Wire to Plastic Face Plate:** Insert bottle holder wire through holes in bottle holder. Align plastic face plate with opening in hutch and insert bottle holder wire into holes on hutch.

**Step 3: Secure Bottle Holder and Face Plate to Hutch:** Fasten bottle holder and face plate to hutch with 1 screw, 1 washer and plastic wing nut.





## Bottle Holder Hutch Mount Template



**VERIFY CORRECT SCALE BEFORE USING....COMPARE TEMPLATE TO LISTED MEASUREMENTS**

### NOTES:

TEMPLATE IS CENTERED BETWEEN THE 2ND AND 3RD RIB FROM THE FRONT OF THE CALF-TEL (OLD STYLE HUTCH)

APPROXIMATELY 31" OFF OF THE GROUND TO THE CENTER OF THE BOTTOM HOLE



## CH-9777-1 & CH-9778-3L Fence Mount Bottle Holder Kit Assembly Instructions for Installation

### Calf-Tel 2 Qt. Fence Mount Bottle Holder Kit Bill of Material:

Item	Item Number	Description	Qty
1	CH-3002-1	2 Qt. Bottle Holder Wire Cradle	1
2	CH-3223-1	Plastic Face Plate	1
3	CH-3003-2	U-Shaped Wire Support Bracket	1
4	PH-5020	Wing Nut	1

### Calf-Tel 3/4 Qt. Fence Mount Bottle Holder Kit Bill of Material:

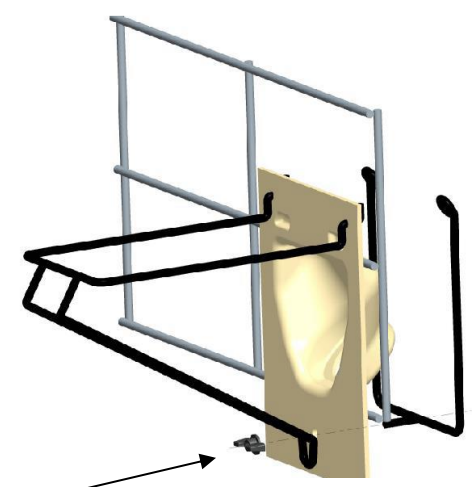
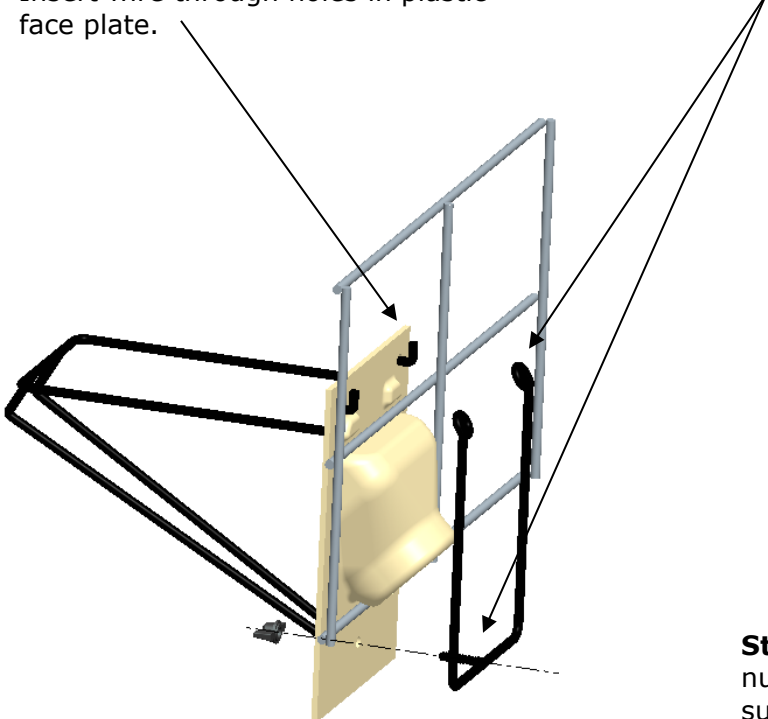
Item	Item Number	Description	Qty
1	CH-3004	Bottle Holder Wire Cradle	1
2	CH-3223-1	Plastic Face Plate	1
3	CH-3003-2	U-Shaped Wire Support Bracket	1
4	PH-5020	Wing Nut	1

#### Installation Instructions:

##### Step 1: Attach Bottle Holder Wire to Plastic Face Plate:

Insert wire through holes in plastic face plate.

**Step 2: Assemble to Fence:** Align face plate to opening in fence. Insert bottle holder wires through fence, into u-shaped wire support bracket holes. Threaded stud at bottom of u-shaped wire support bracket should be inserted through the lower hole on the face plate.



**Step 3: Fasten to Fence:** Tighten wing nut onto stud at base of u-shaped wire support bracket.