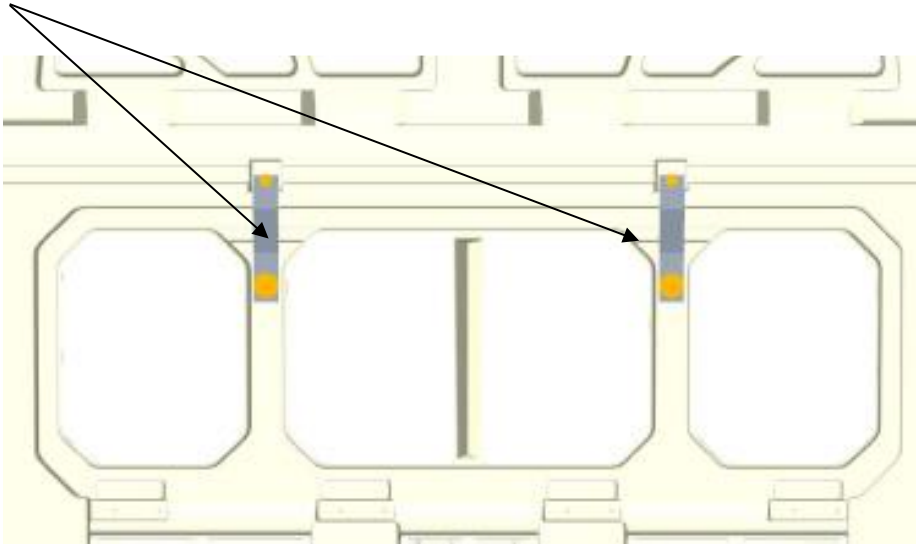


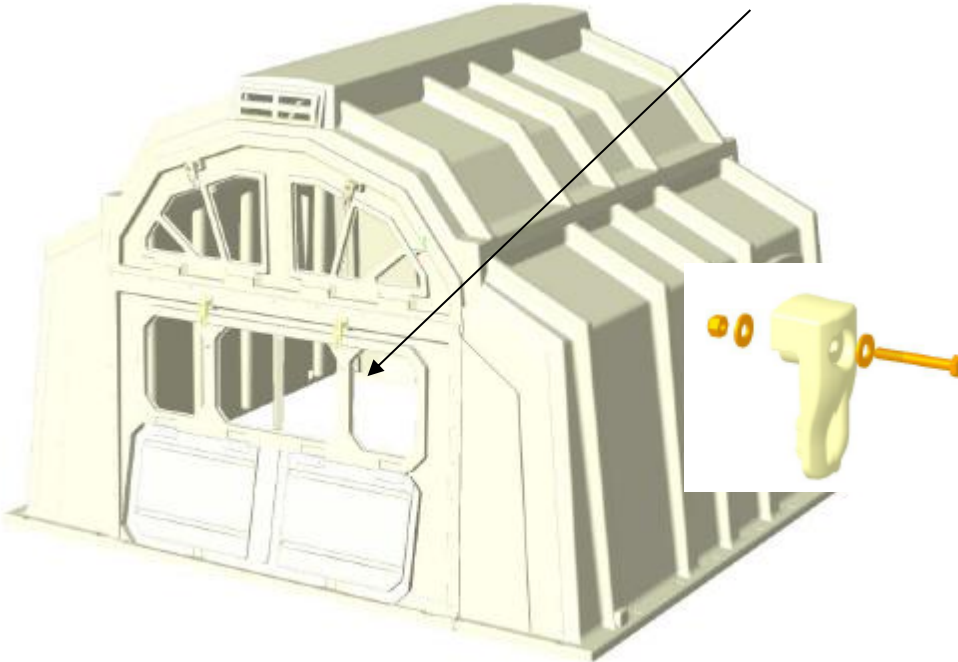


## 54|98 Reinforcement Bracket

**Step 1:** Reinforcement Bracket installed in 2 locations on the inside of the unit using CT-10037 and CT-HDWE-037.

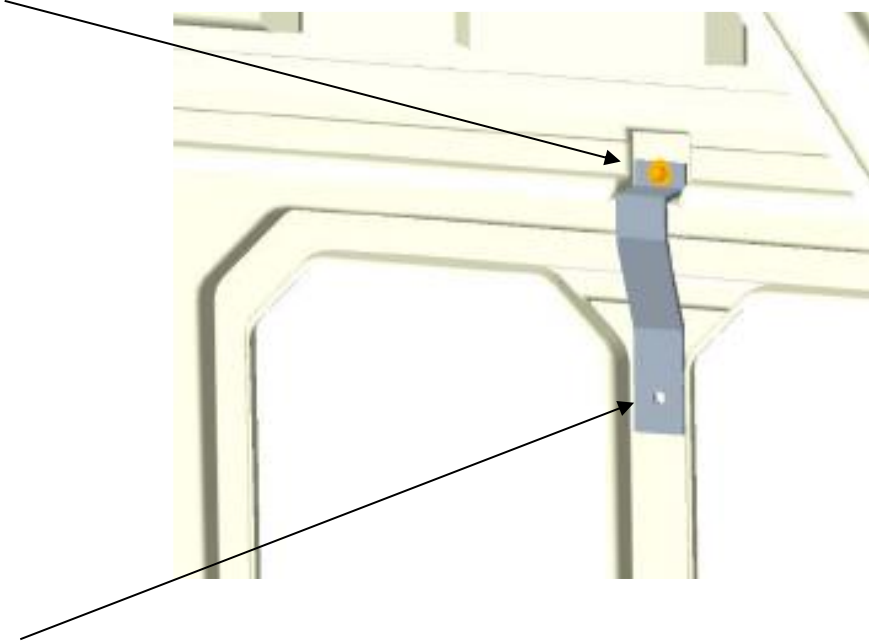


**Step 2:** Remove the inside nut and washer from CH-9225 Latch that locks the bedding door.





**Step 3:** Install Reinforcement Bracket (CT-10037) as shown and reinstall nut and washer to latch.



**Step 4:** Using a 5/16" dia drill bit, drill a hole through the plastic using the hole in the Reinforcement Bracket as guide.

**Step 5:** Attach bracket to plastic with the CT-HDWE-037 hardware kit. Insert bolt from outside using a washer and tighten the nut on t

