



AH-2000-P1 54/98 MultiMax Duplex Pairing System Assembly Instructions for Installation



Bill of Material

Item	Item Number	Description	Qty
1	AH-2000	Frame, Right, 54/98 Duplex	1
2	AH-2001	Frame, Left, 54/98 Duplex	1
3	AH-2002	Center Divider, 54/98 Duplex	1
4	AH-2003	Rear Support, 54/98 Duplex	1
5	AH-2004	Bracket, Upper, 54/98 Duplex	1
6	CT-9006	Gate, Starter Unit	2
7	CT-9008	Latch, Gate	2
8	CT-HDWE-042	Kit, HDWE, Upper Loop	2
9	CT-HDWE-060	Kit, HDWE, 54/98 Duplex System	1

Tools Needed:

1. ½ in Socket & Ratchet
2. ½ in Open End Wrench
3. Rubber Mallet or Hammer
4. 3/8" Drill Bit
5. Drill



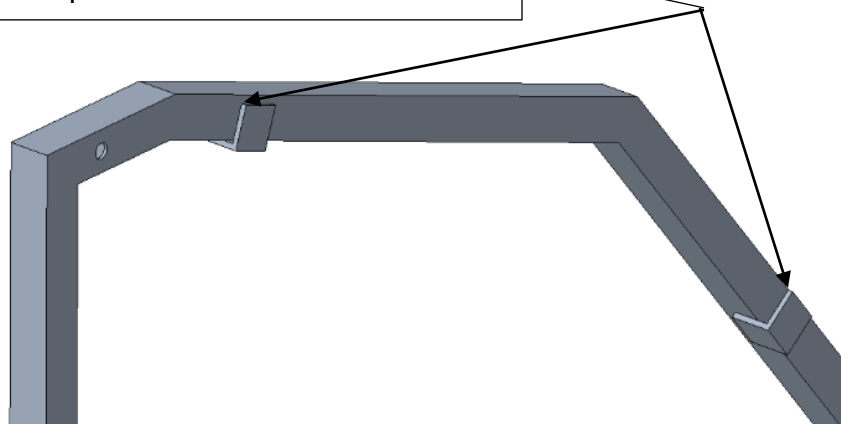
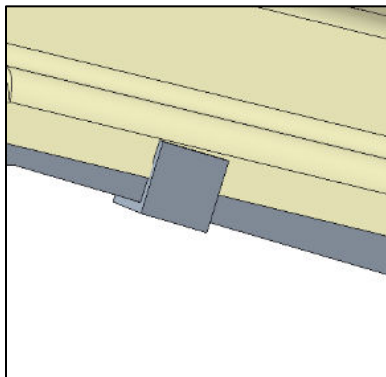
Installation Instructions:

Step 1: Install the left and right front frame.

Make sure the plastic corners of the MMX are as tight to the wood as they can be. From plastic edge to plastic edge, it should measure 60" +/- 1/4". Measure out the center and mark... It should be about 30" +/- 1/8" (The Assembled 54/98 MultiMax may need to be pushed up to allow the steel frames to be assembled.)

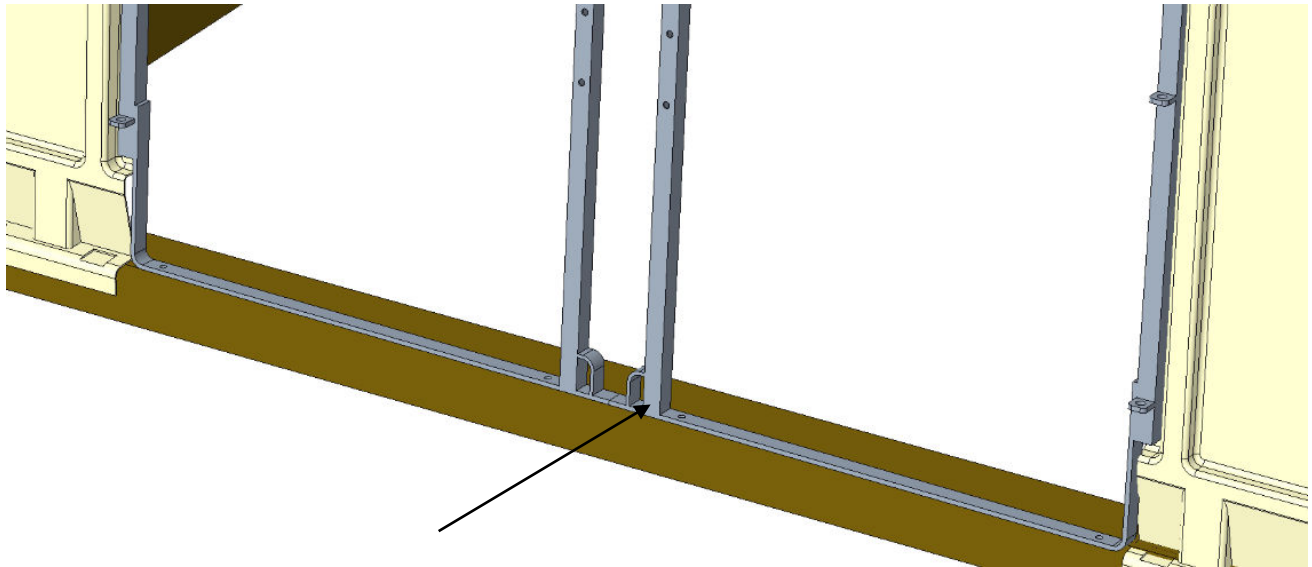


The top inside of the Frames have groove features that allow the plastic of the roof to slide in and lock into the steel – 2 places per steel frame.





The bottom of the Frames sit on the wood base, and should meet at the center mark that that you created on the bottom from measuring.

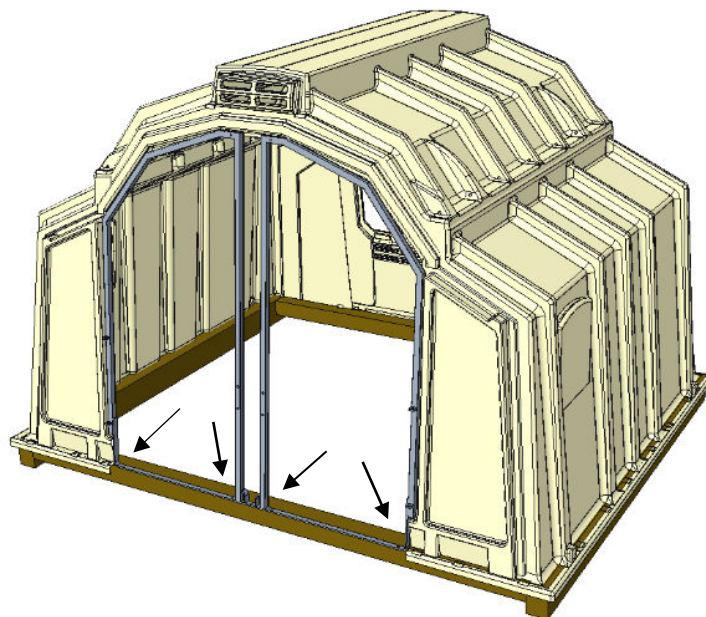




The top can be adjusted with a 4" space to keep it in the correct position.



Once both front Frames are installed, the bottom of the Frames can be screwed down using the supplied lag screws and washers in the hardware kit.





The bottom of the frame is centered along the wood, 1 ¼" from each edge.



Screw down bottom of frame.

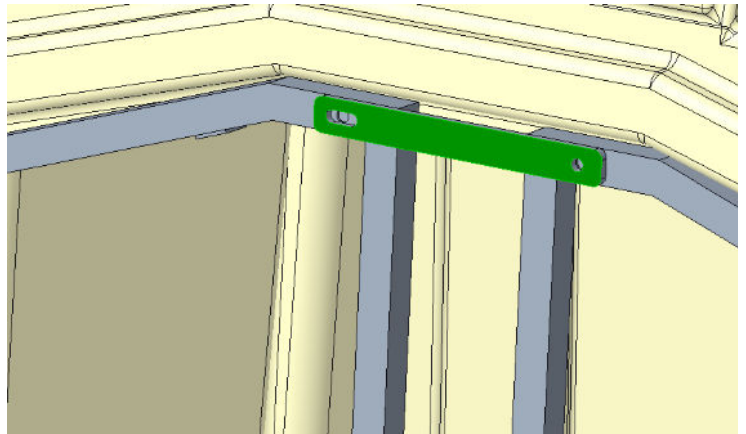




Step 2: Attach the Upper Bracket: Bolt the Bracket to the top of the Front Frames using the 2" hex bolts and lock nut in the hardware kit. (The plastic of the roof may need to be drilled with a 3/8" drill bit.)



Drill top frame holes through the plastic.

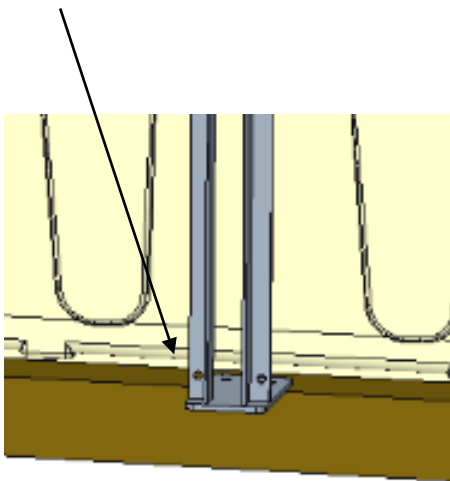




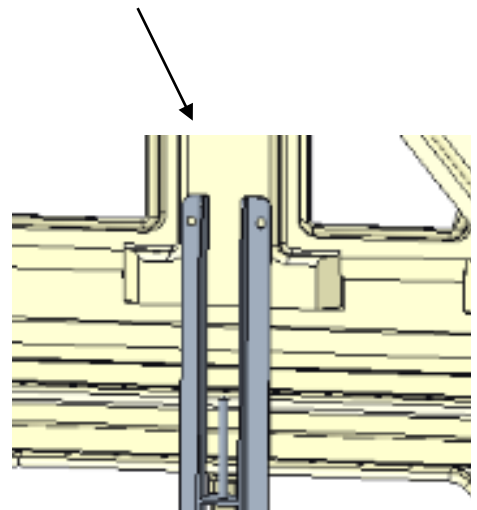
Step 3: Install the Rear Support: Using the Top Lock and the Hardware Kit, bolt top lock to front frame. Top lock should sit snug over the fence frame and gate opening.

Place the Rear Support in the back of the unit with the flat plate sitting on the wood base, push the Support backwards until the upper end hits the plastic of the back wall. **Make sure the bottom plate is 1" from the back on the wood.**

Screw Support down to the wood base using the supplied lag screws in the hardware kit. plate sitting flat, mark and drill holes in the plastic using the holes at the top of the steel as guides.

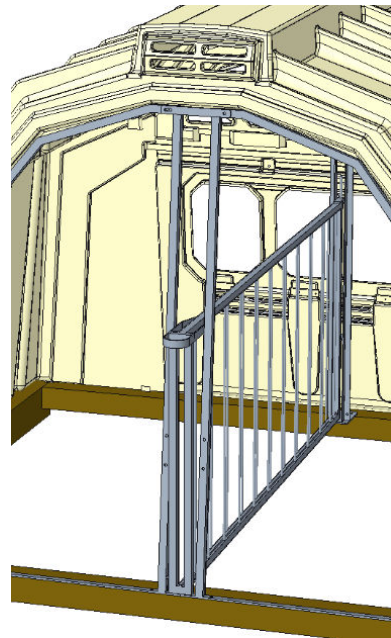
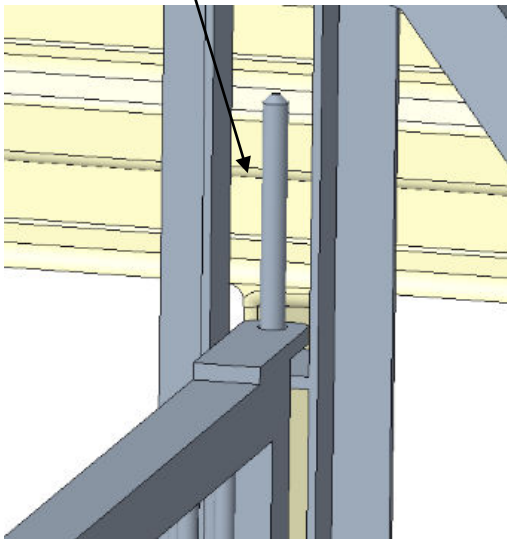


Mark and drill holes in the plastic using the holes at the top of the steel as guides, using the 1" hex bolts, washers and lock nuts in the hardware kit.



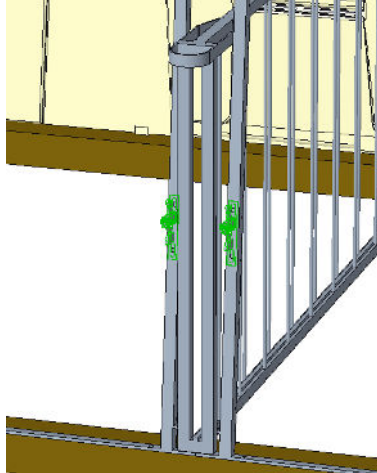


Step 4: Install Center Divider: Slide the Center Divider in-between the front frames and hook the tab on the upper back of the divider on the top pin of the Rear Support.





Step 5: Attach latch: Using latch hardware, fasten latch to each front Frame. Best if lock nut is on the inside of the unit.



Step 6: Hang gate: Start by guiding top hinge on gate through the top hole on frame. Once hinge is in place, follow with the bottom hinge.

