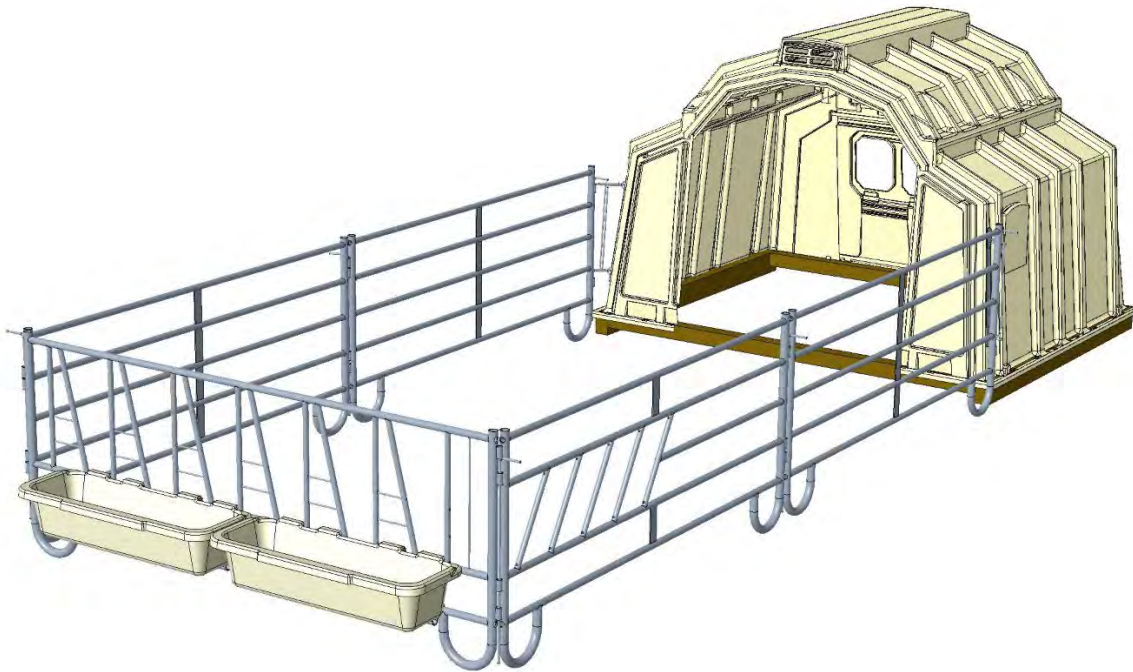




**CTC-1010A**  
**8/16 Group Yard – V Front**  
**54/98 MultiMax**  
Assembly Instructions



**Bill of Material: (plastic hutch not included)**

Item	Item Number	Description	Qty
1	CTC-1015	V Front	1
2	CTC-1017	Side Panel	3
3	CTC-1018	Side Waterer Panel	1
4	CTC-1019	Universal Hutch Connector	2
5	CTC-1020	Rods	6
6	CTC-1028	Plastic Hanging Trough - 16 Gal Beige	2



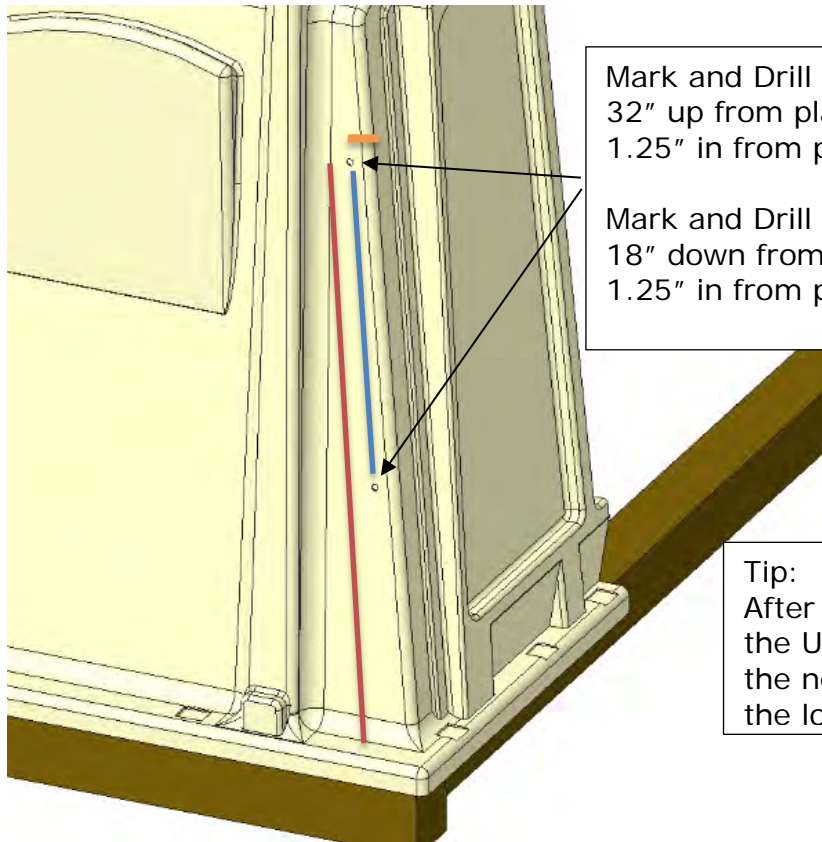
**Tools Needed:**

1. ½ in Socket & Ratchet
2. ½ in Open End Wrench
3. 3/8" Drill Bit
4. Drill
5. Rubber Mallet

**Assembly:**

**Step 1:**

- Using the 3/8" drill bit, mark and drill holes in the side of the plastic unit...  
(if they are not already dimpled or drilled)



Mark and Drill top 3/8" dia. hole:  
32" up from plastic base – RED LINE and  
1.25" in from plastic face – ORANGE LINE

Mark and Drill lower 3/8" dia. hole:  
18" down from top hole – BLUE LINE and  
1.25" in from plastic face

Tip:  
After drilling top hole, you can use  
the Universal Hutch Connector from  
the next step as a guide to locate  
the lower hole.

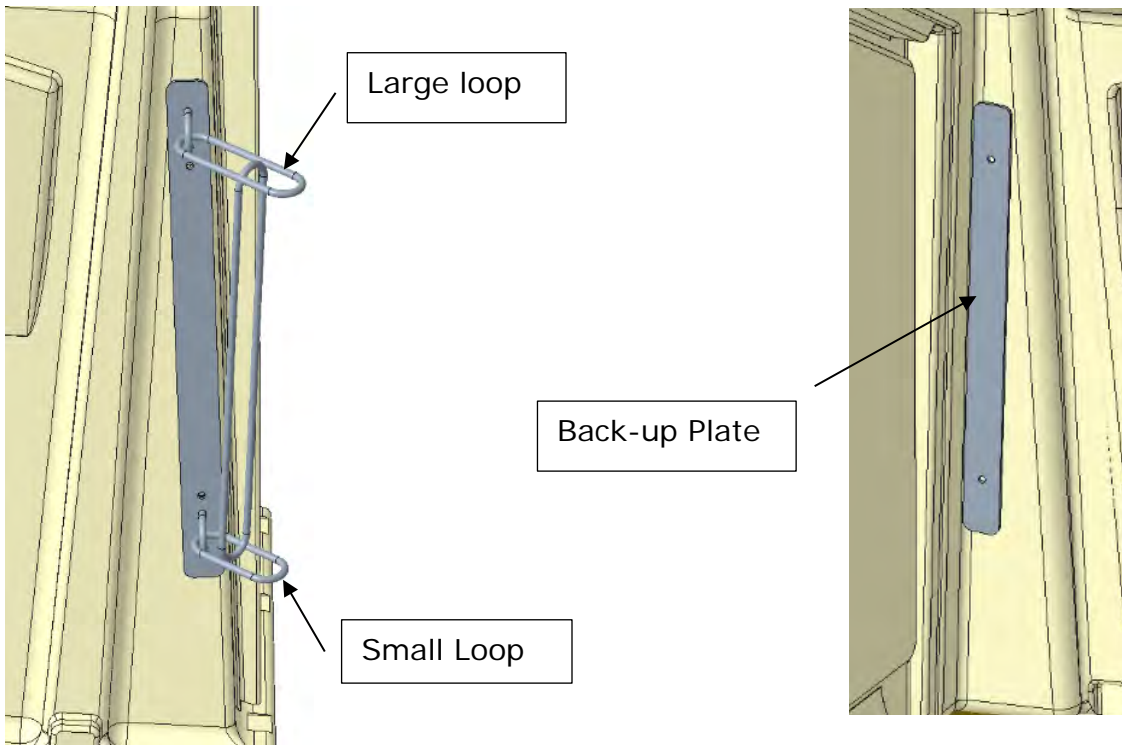


## Step 2:

- Locate the Universal Hutch Connector  
(hardware and back-up plate should be attached to the part)



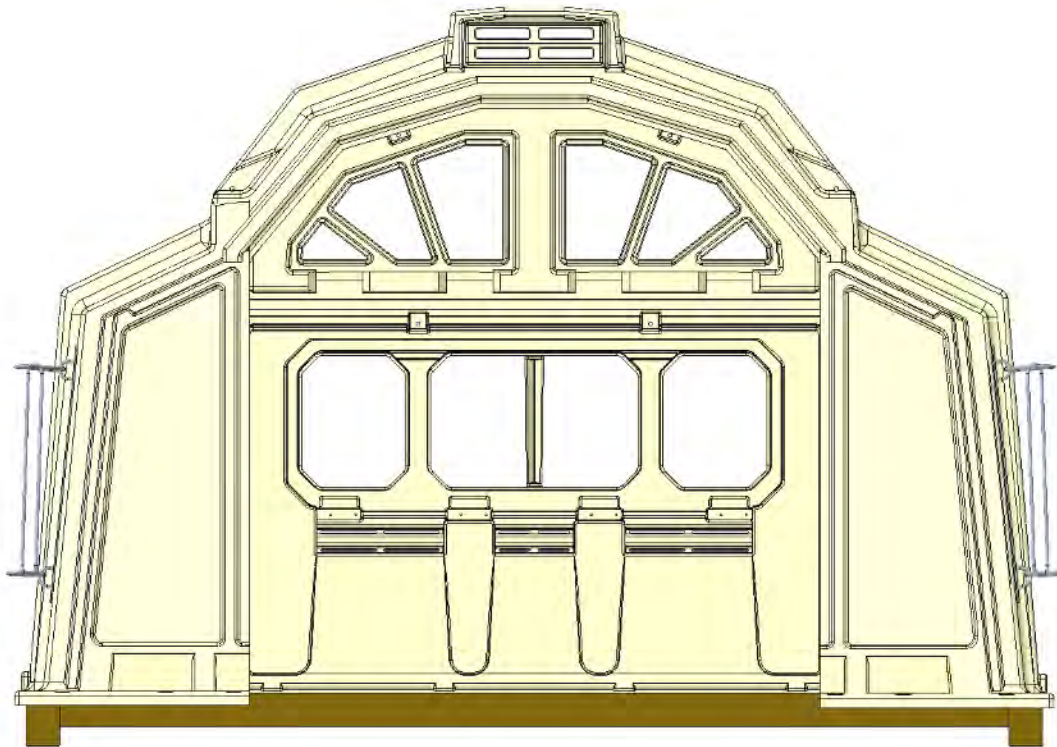
- The Connector should have the hardware and back-up plate attached.
  - Remove the hardware using the ½" socket and wrench.
  - Align the top hole of the Connector (large loop should be on top) with the top hole previously drilled in the Hutch.
  - Push the 1" hex head screw through the connector and the hole in the plastic
  - Reach around to the inside (a helper may make it easier) and align the backup plate with the screw and then thread on the lock nut...tighten.





**Step 3:**

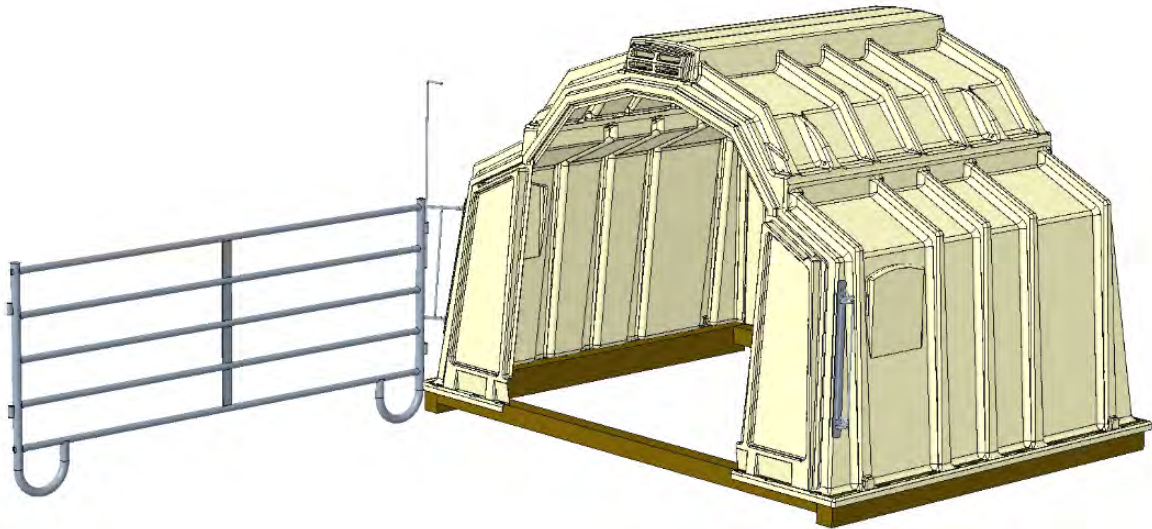
- Repeat Steps 1 and 2 on opposite side of the hutch.
- Universal Hutch Connectors are now on both sides of the front of the hutch.



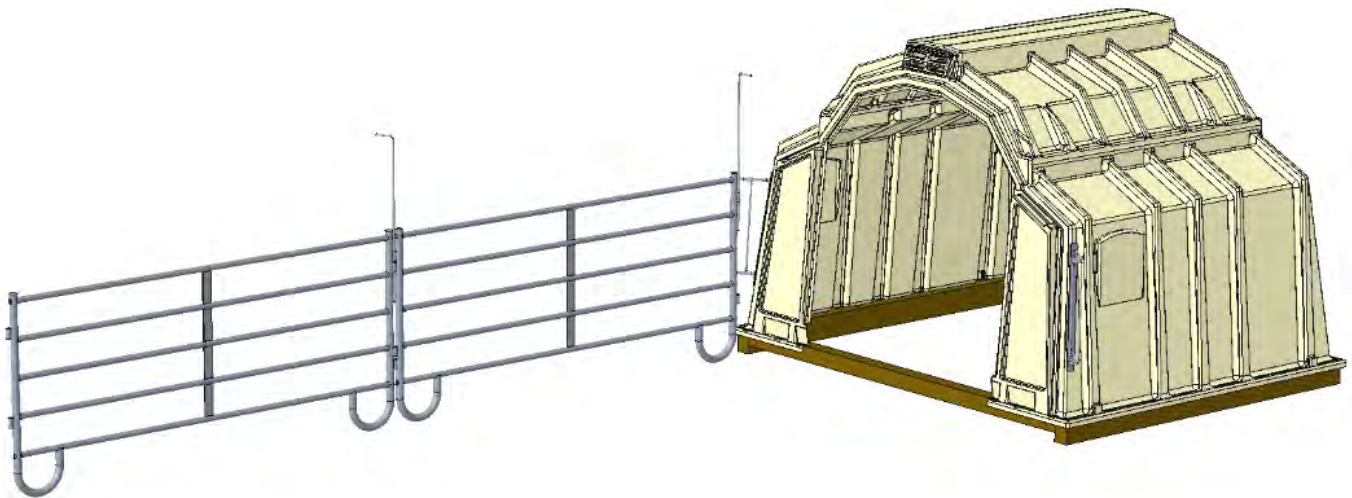


**Step 4:**

- Start connecting the Side Panels
- The 4 side panels can be put in any location wanted.
  - The side panels have rod tubes on the end for assembly
  - Start with the end of the panel that the rod tubes are further apart, and connect those to the Universal Hutch Connector



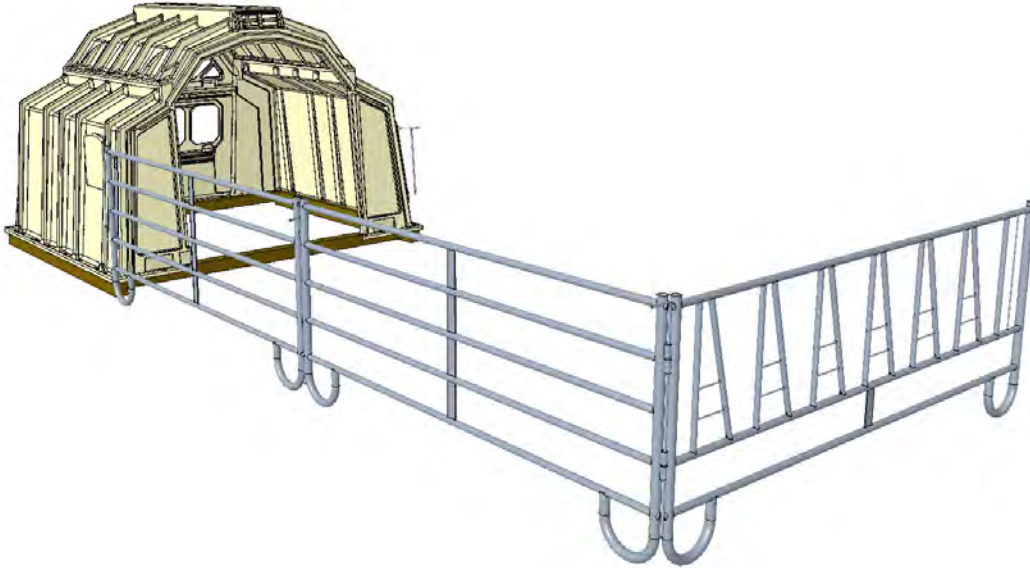
- Continue with another Side Panel with the rod tubes facing the same direction as the previous panel





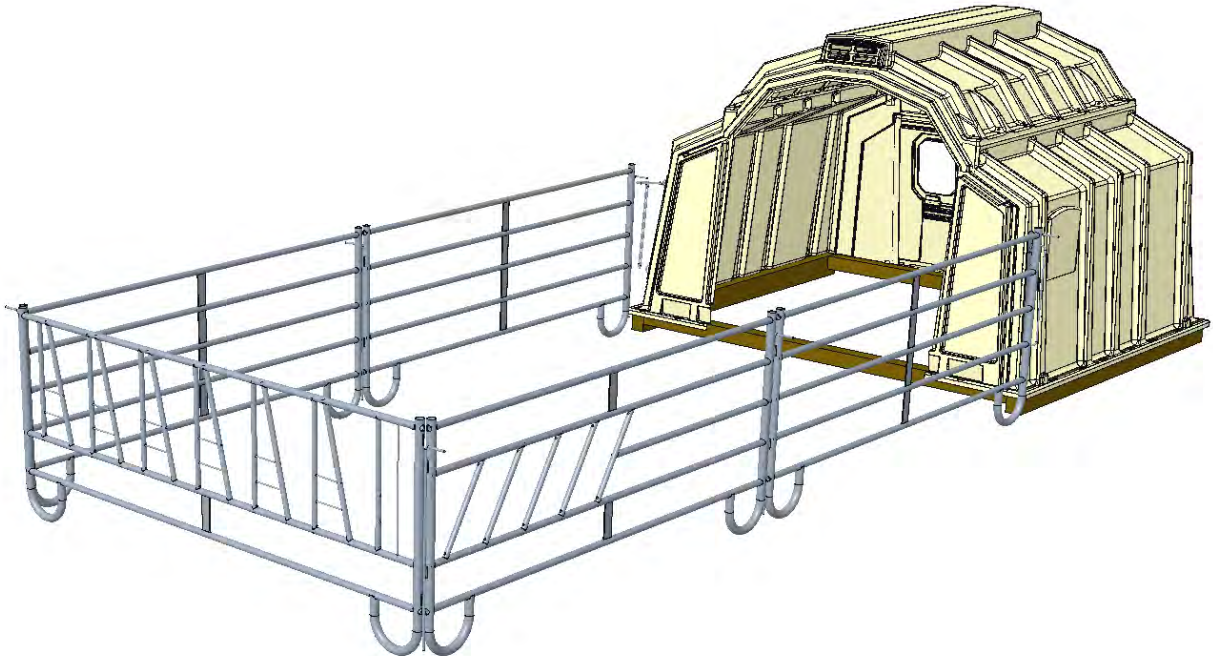
**Step 5:**

- Connect the V Front – facing the unit from the outside, openings should start on the left side.



**Step 6:**

- Continue with connecting the Waterer Side Panel to the front, and then the final Side Panel to the unit.





**Step 7:**

- Hang the Plastic Troughs on the Front
  - They hook to the 2 lower horizontal bars of the Front

